

# Elevator

SJT-WXX 5-H

书

BL2000-BHT-V2n/FR2000-BHT-V2n

Elevator Control System User Guide



SWXX5-H-08.1-08

```

=====
%
% %
% &
% '
% (
& %
& % %
& % &
& % '
& % (
& &
& & %
& & &
& & '
%
' %
' &
' '
' ' %
' ' &
' ' '
' ' (
' ' )
' ' *
' (
' ( %
' ( &
' ( '
' ( (
%
&
'
(
)
*
%*;) *+*; @! >>
; +5
; %48
)
*$

```

SJT-WVF5-H/WSH 7

PLC

( SJT-WVF5-H )

( SJT-WSH 7 )

13

1

/

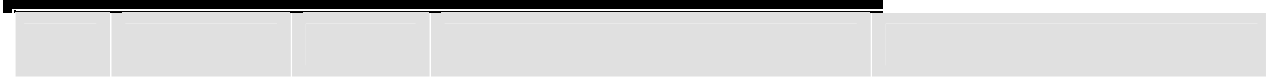
FR2000-BHT-V2X/BL2000-BHT-V2X

FUJITSU

32



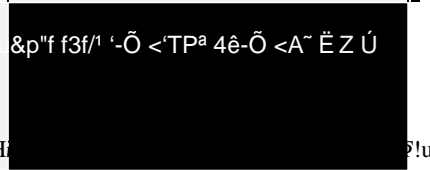
% %



11				
12			1 2 3 4 5	1            1  2            0 a. b.  c.   d.   e.
13			1  2  3 a. b. c. 10  d.        /            10	  1  2            CPU
14				

% &

1			1 2 5	6  "Success"  CC
2				
3				5
4				
5				
6				7 7 7 BC G
7				1 2 3
8				
9			1 2 10	5
10				

11			\Sz~ð•1 R!V3Ã0 • U&Î NçÒPÃÄ €L° &p"f f3f/1 '-Õ <'TPª 4ê-Õ <A~ È Z Ú 60111	

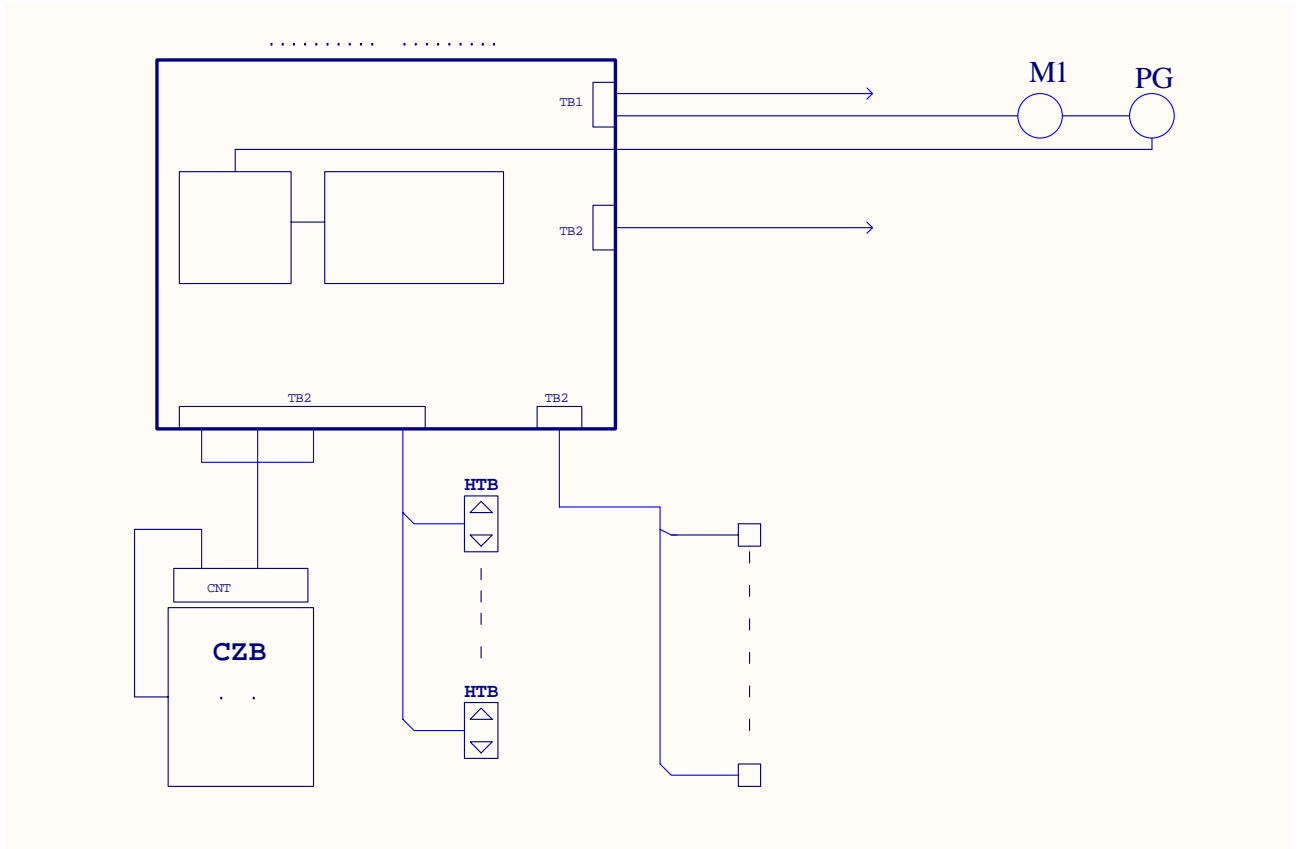
!ud!eciW41V

& %

& % %

2-1

BL-2000-BHT

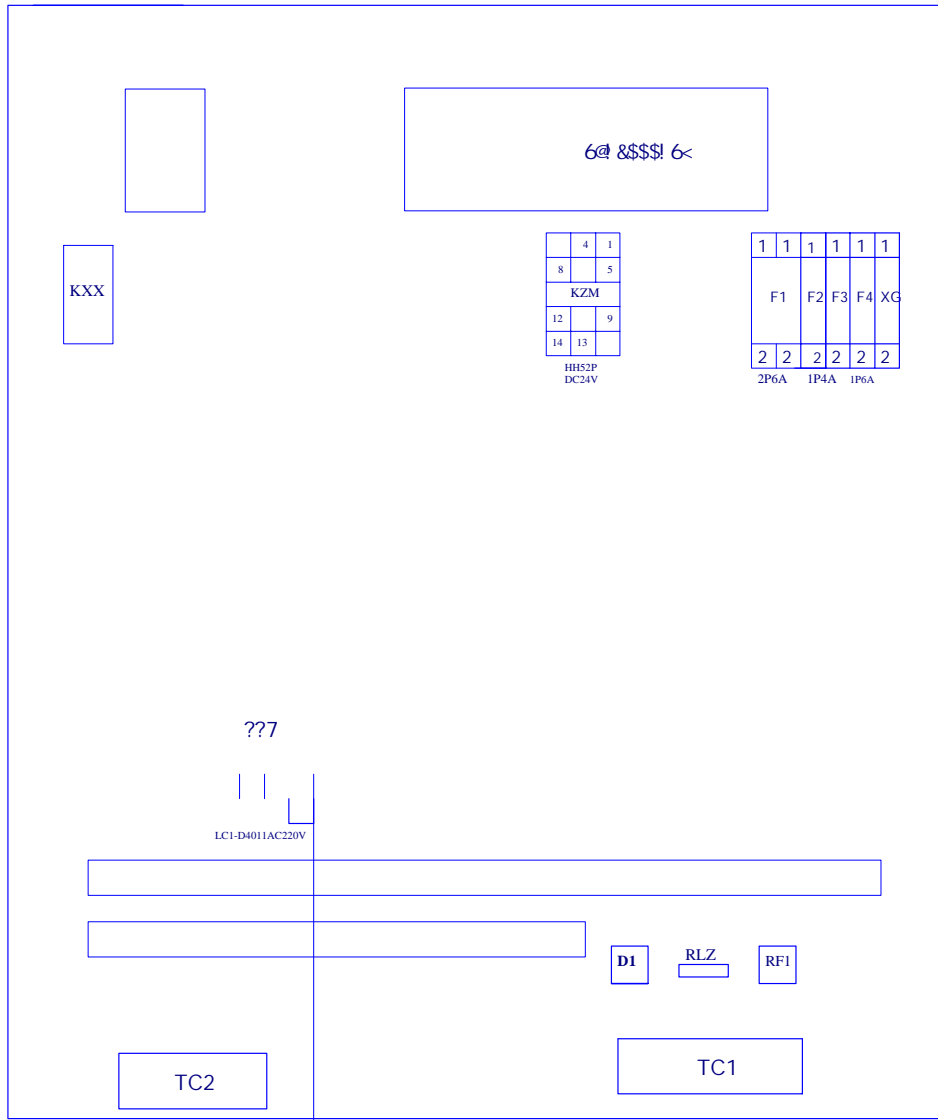


2-1

2 1 2

2-2 a 2-2 b





---

13	RZD		
14	TZD		100
15	RF1	110V	
16	D1		
17	RLZ		
18	KZM		
19	KXF		
20	KS		
21	KX		
22	KZD		
23	KMC		
24	KKC		
25	KJC		
26	FR	FR1	FR2
27		BL-2000-BHT	

2-3



& % ' , =#C Ž% 7CAŽ' Ž( 1)\*

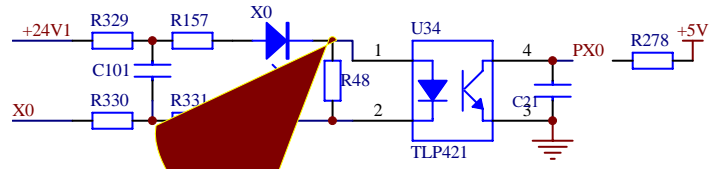
%	(, =#C	Ž% 7CAŽ'	Ž(	1)*
>%_%	%&J	8		
>%_&	5Ž	8	5Ž	
>%_'	5! f!5Ł	8	5! 5	
>%_(	6Ž	8	6Ž	
>%_)	6! f!6Ł	8	6! 6	
>&_%	L\$	7	G>L #	G>L #
>&_&	L%	7	GGLK	GGLK
>&_'	L&	7	GLLK	GLLK
>&_(	L'	7	GGAE	GGAE
>&_)	L(	7	GLAE	GLAE
>&_*	L)	7	G?8M	???
>&_+	L*	7	?67	?67
>&_Ł	L+	7	F!B	?A7
>&_-	L,	7		GG<
>&_%\$	L-	7		GL<
>'_%	L%\$	7	G>H	G>H
>'_&	L%%	7	GA6	GA6
>'_'	L%&	7	: 5! @H	
>'_(	L%(	7	GL:	GL:
>'_)	L%{	7	GAG	GAG
>'_*	L%}	7	GAL	GAL
>'_+	L%*	7	GG8N	GG8N
>'_Ł	L%+	7	GL8N	GL8N
>'_-	L%,-	7	?D7	?D7
>'_%\$	L%\$	7	G?A %	G?A
>(_%_	L&\$	7	G A %	G A
>(_&_	L&%	7	G?AK% %	G?AK
>(_'_	L&&	7	G AK% %	G AK
>(_(	L&{	7	G#56% %	G#56% %
>(_)	L&{	7	G8G	G8G
>(_*	L&}	7	G7N	G7N

>)_&	L' %	7	GNG	GNG
>)_'	L' &	7		
>)_('	L' '	7		
>)_)	L' (	7	G?A& &	G?A& &
>)_*	L' )	7	G A& &	G A& &
>)_+	=\$	7	# %# %fl &t	# %# %fl &t
>)_	=%	7	# &# &	# &# &
>)_-	=&	7	# ' # '	# ' # '
>)_%\$	='	7	# (# (	# (# (
>)*_%	=(	7	# )# )	# )# )

>)*_'	=*	7	# &# %	# &# %
-------	----	---	-----------	-----------

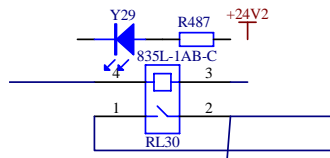
&# %

7



>%&_)	M&)	:	9<VW + + : I \$)	9<VW + + : I \$)
>%&_*	M&*	:	9<[ [	9<[ [
>%&_+	M&+	:	9G	9G
>%&_)	M&)	:	9L	9L
>%&_-	7A)	:	M% ! M&	M% ! M&
>%&_%\$	M&-	:		
>%&_%	7A*	:	M&-	
>%&_&	M\$	:		
>%&_'	7A+	:	M\$	
>%&_(	@ \$	:	97N	97N
>%&_)	@%	:	: AE	: AE
>%&_*	@&	:		
>%&_+	@	:	?M	?M
>%&_)	@(	:	# %# %	# %# %
>%&_-	@)	:	# &# &	# &# &
>%&_%\$	@ *	:	# ' # '	# ' # '
>%&_%	@ +	:	# (# (	# (# (
>%&_&	@ ,	:	# )# )	# )# )
>%&_'	@ -	:	# %# *	# %## *
>%&_(	@ %\$	:	# &# %	# &# %
>%&_)	@ %%	:	# ' # &	# ' # &
>%&(_%	@ %&	:	# (# '	# (# '
>%&_&	@%	:	# &# (	# &# (
>%&_'	@%	:	# ' )	# ' # )
>%&_(	@%	:	# ( *	# (# *
>%&_)	@%	:	# )# +	# )# +
>%&_*	7A,	:	@\$! @%+	@\$! @%

9



=%%	>(_%	L< , # L<%&	%&	<H%%	%%	
=%&	>(_&	L<- -# L<%	%	<H%&	%&	
	>(_'					
	>(_(					
	>(_)					

J5 L1~L10 H. =# ==

@%	>)_%	GB* *# GB%\$	%\$	GB+	+# <H%	%
@&	>)_&	GB+ +# GB%%	%%	GB,	,	
@	>)_'	GB, , # GB%&	%&	GB-	-	
@(	>)_ (	GB- -# GB%	%	GB%\$	%\$	
@)	>)_ )	G< )# G<-	-	GB%%	%%	
@*	>)_*	G<* *# G<%\$	%\$	GB%&	%&	
@+	>)_+	G<+ +# G<%%	%%	GB%	%	
@	>)_	G< , # G<%&	%&	<H	,	
@-	>)_-	L<* *# L<%\$	%\$	<H	-	
@\$	>)_ \$	L<+ +# L<%%	%%	<H%\$	%\$	

J6 L11~L12

@%%	>*_%	L< , # L<%&	%&	<H%%	%%	
@%&	>*_&	L<- -# L<%	%	<H%&	%&	
	>*_'	7CA				
	>*_ (	7CA				
	>*_ )	7CA				

%\$	#	, &	' # )# &
%%	#	, '	(# *# '
%&	#	, (	)# +# (
%	#	(*	*# +# )
%&	#	(+	+# ,# *
%&	#	(,	,# -# +
%*	#	(-	-# %\$# ,
%+	#	*)	)# %&# (
%	?A7 #?D7	**	*# %&# )
%	%# %	*+	+# % # *
&\$	%# %	*,	,# ,# +
&%	%# %	, )	*# -# )
&&	%# %	, *	+# %\$# *
&'	%# %	, +	,# %&# +
&(	#	, ,	-# %&# ,
&)	#	)\$	%\$# % # -
&*	#	)%	%&# # %\$
&+	#	)&	%&# # %%
&	#	)'	% # # %&
&-	#	*-	-# # ,
' \$	#	+\$	%\$# # -
' %	#	+%	%&# # %\$
' &	#	+&	%&# # %%
''	#	, -	%\$# # -
' (	&# &	-\$	%&# # %\$
' )	&# &	-%	%&# # %%
' *	#	-&	% # # %&

z

2

	#		# #
\$\$	#	(%	%# %# %
\$%	#	(&	&# &# &
\$&	#	('	' # ' # '
\$'	#	((	(# (# (
\$(	#	( )	)# )# )
\$)	>C; #	*%	%# *# %
\$*	#	*&	&# %# &
\$+	#	*'	' # &# '
\$,	%#	*(	(# ' # (
\$-	#	, %	&# (# &
%\$	#	, &	' # )# '



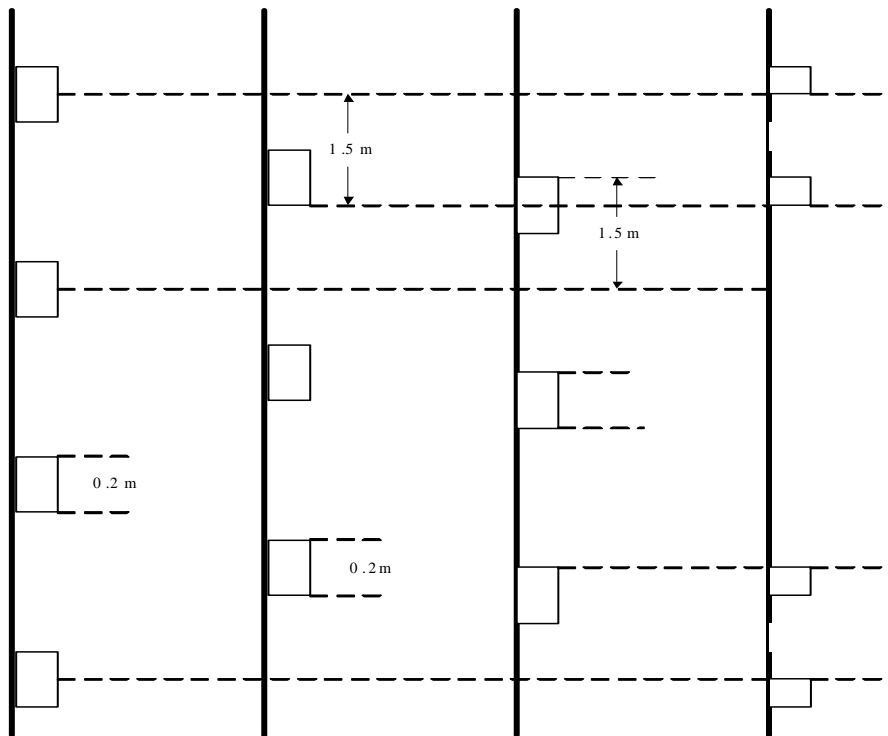
& & &

7 U1 V1 W1 U1, V1, W1 N  
15KW 10mm<sup>2</sup> U3 V3 W3

---

& & '

MQ MQ1 MQ2—  
MQ MQ1 MQ2 SSH SXH  
1.5m SDZ XDZ 0.5m SXV XXV

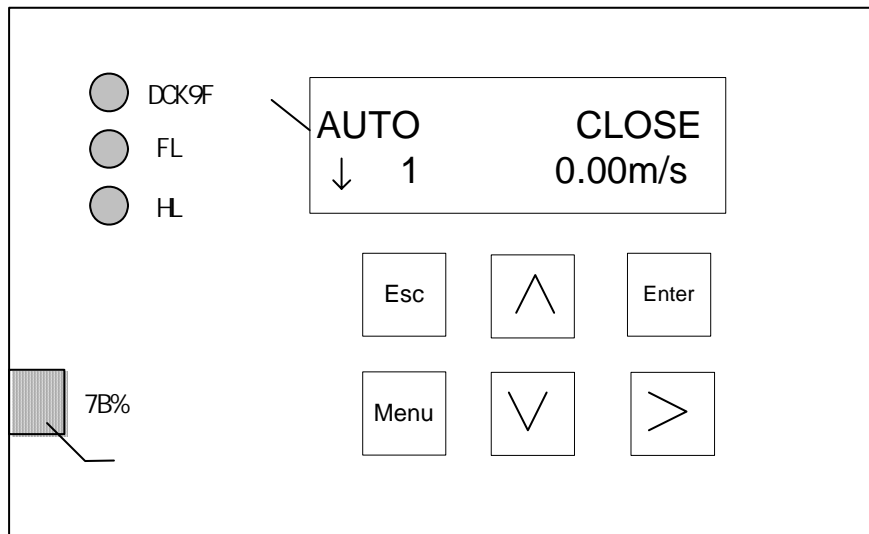


' %

- 1
- 2 I/O
- 3
- 4
- 5
- 6

5

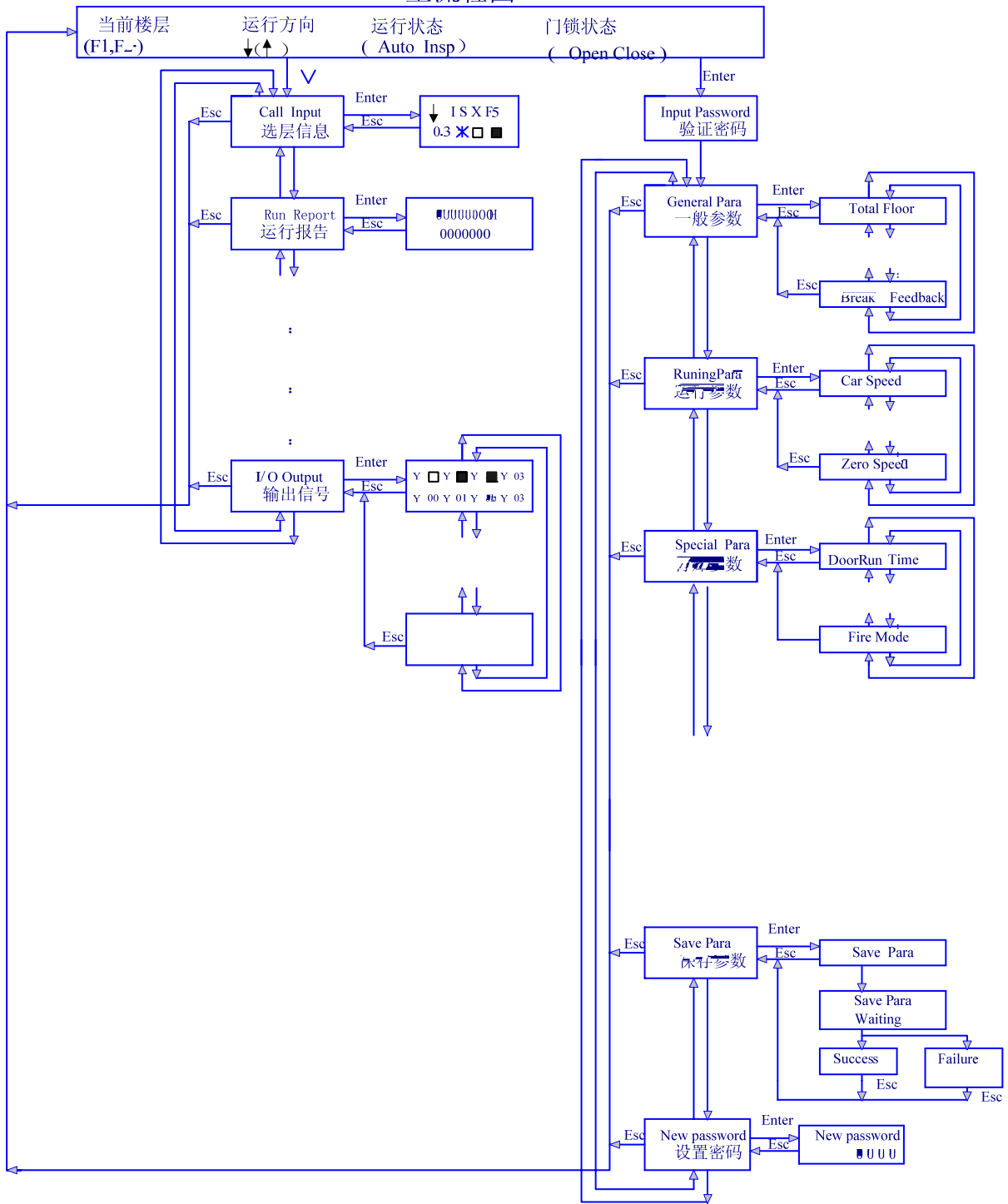
' &



- Menu —
- Enter —
- Esc —
- 
- 
- 

Yes ON  
NO OFF

### 主流程图



监视菜单

设置菜单

' ' %

Learning..... Waiting..... Menu

INSP ER=10 CLOSE  
 ↓ 1 0.00m/s

➤ INSP MANU AUTO FIRE STOP USED  
 ➤ ER=#  
 ➤ CLOSE OPEN  
 ➤

— 3.4.2 10  
 — 1 2 3 .....

' ' &

1010 3.3.3 b 0000 3.3.3 a

1 Enter Menu Enter

Input Password 0000  
 Enter

2 > Enter

General para  
 Enter

3

Password error  
 Enter

4 Enter 1 Enter 2

• • •



Call Input

Total Floor

Car Speed

Door Run Time

Hoistway Data

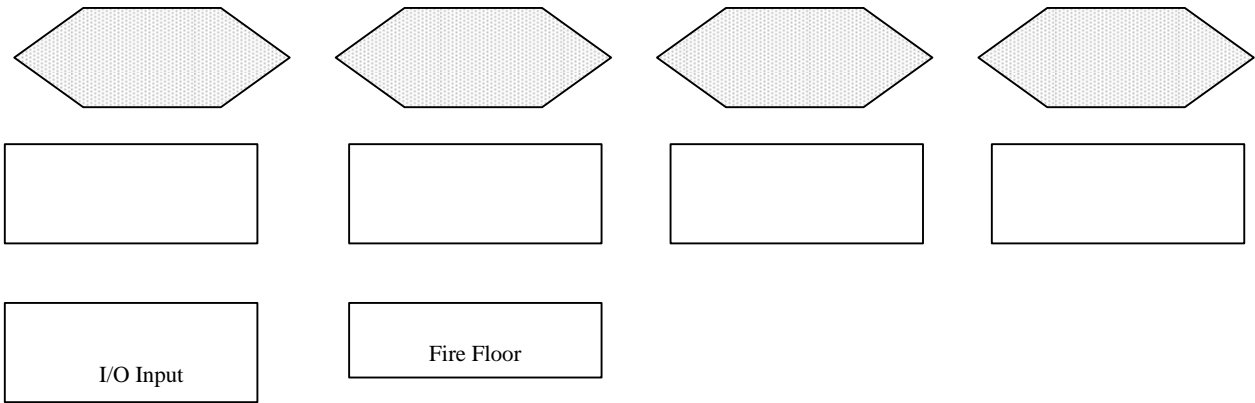
Floor Data

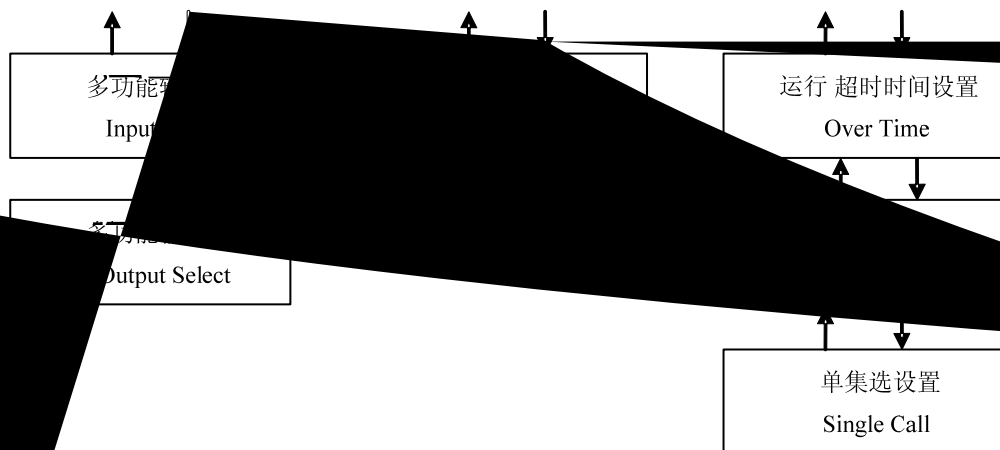
Speed Feedback

Run Report

Fault Report







' ' (

1

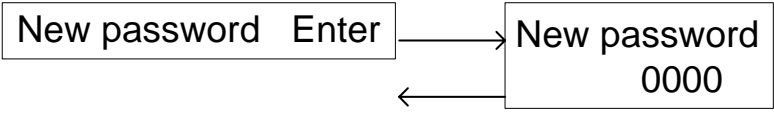
1		Call Input	
2		Hbistway Data	
3		Floor Data	
4		Speed Feedback	rpm m/s
5		Run Report	
6		Fault Report	
7		Encoder Apprais	/
8		Input Apprais	
9		Software Nb	
10		I/O Input	
11		I/O Output	
12		I/O Car Data	/

2

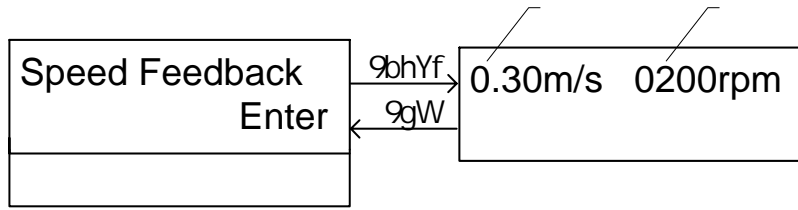
1		Total Floor	5	1-13	
2		Hbning Floor	1*	1-	
3		Open Door Time	5s*	0-999s	
4		Open Delay Time	30s*	0-999s	Yes
5		Hbning Time	60s*	0-999s	
6		Fire Floor	1*	1—	
7		Parking Floor	1*	1—	
8		Input Type	ON		ON OFF ON OFF
9		Output Type	OFF		OFF ON
10		Set Indication	00—13		
11		Set Stop Floor	ON		
12		Open Delay Able	NO*		
13		Brake Feedback	Yes*		Yes NO
14		Door Select			



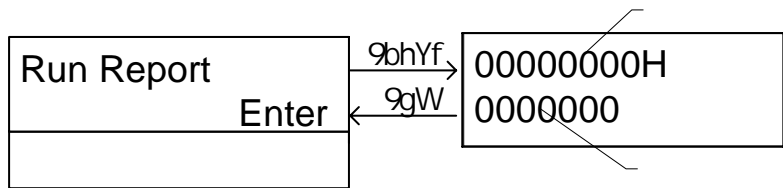
6		Fire Mode	0*	0-1	
7		Jog Select	0*	0/1	0 1
8		Control Mode	SHS*	WVF5-H/ SHS	<b>WVF5-H:</b> SHS
9	PG	PG Input Able	1*	1/0	/
10		Multi Speed Give	0*	0~1m/s	
11			0*	0~10m	



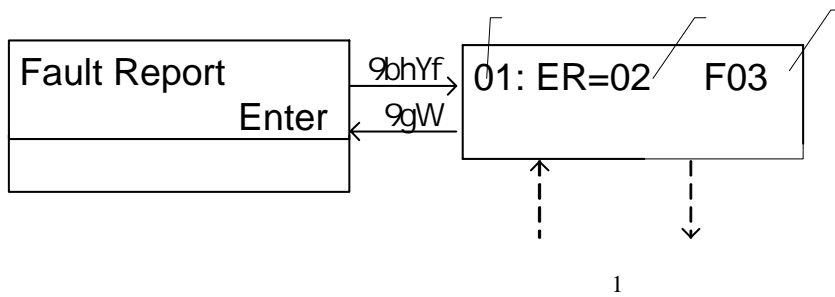




5

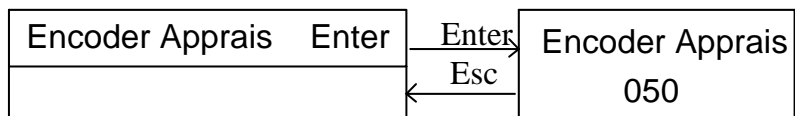


6

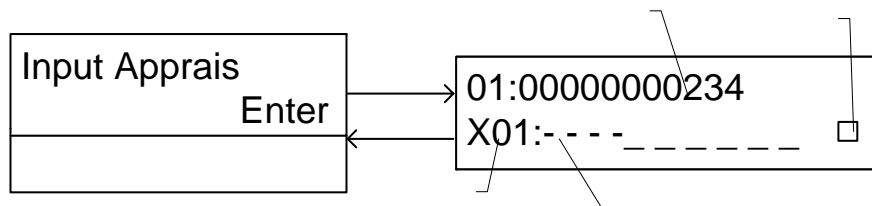


➤  
➤

7



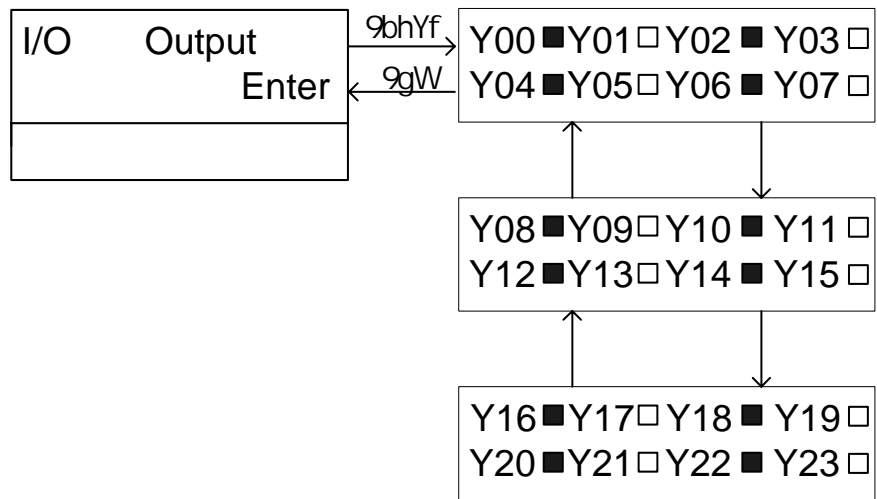
8



➤  
➤

10





➤

' ( &

( / )

Input Password 0000 Enter

>

Enter

Password error Enter

Enter

Enter

General para Enter

Enter

1

Total Floor 12

Enter

Enter

Esc

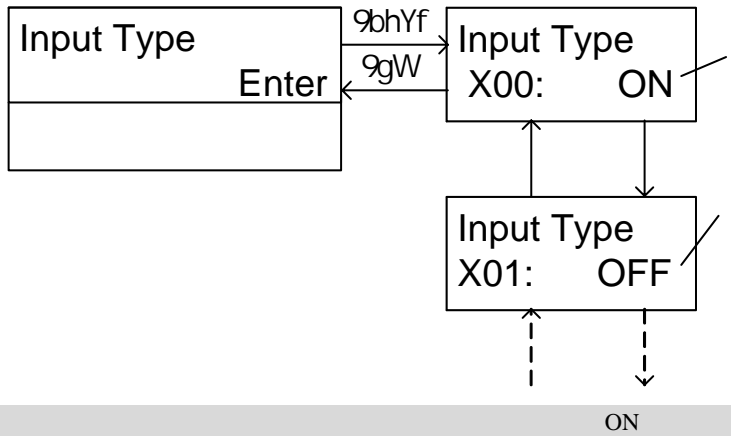
2

Homing Floor 1

3

2S

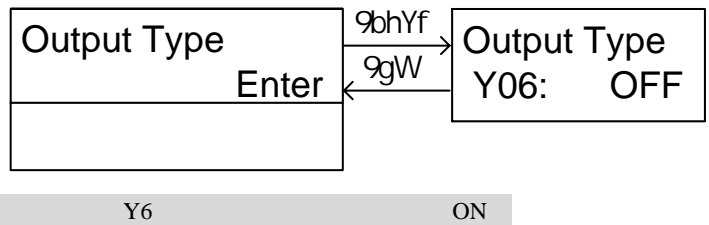




OFF

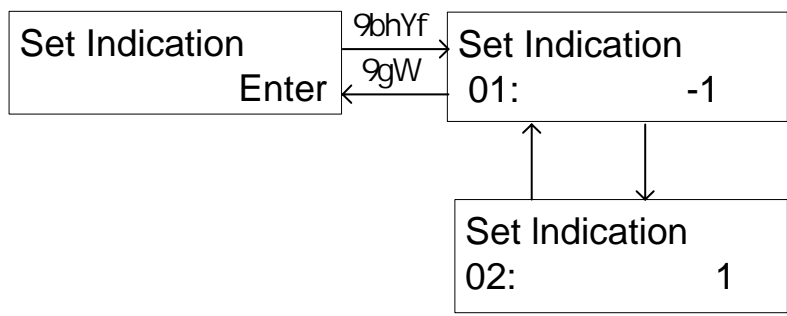
9

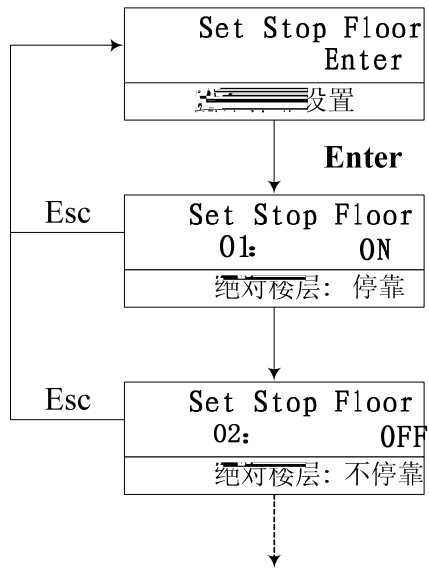
OFF ON OFF



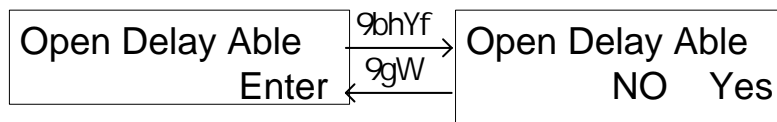
10

7 BC G 7





12

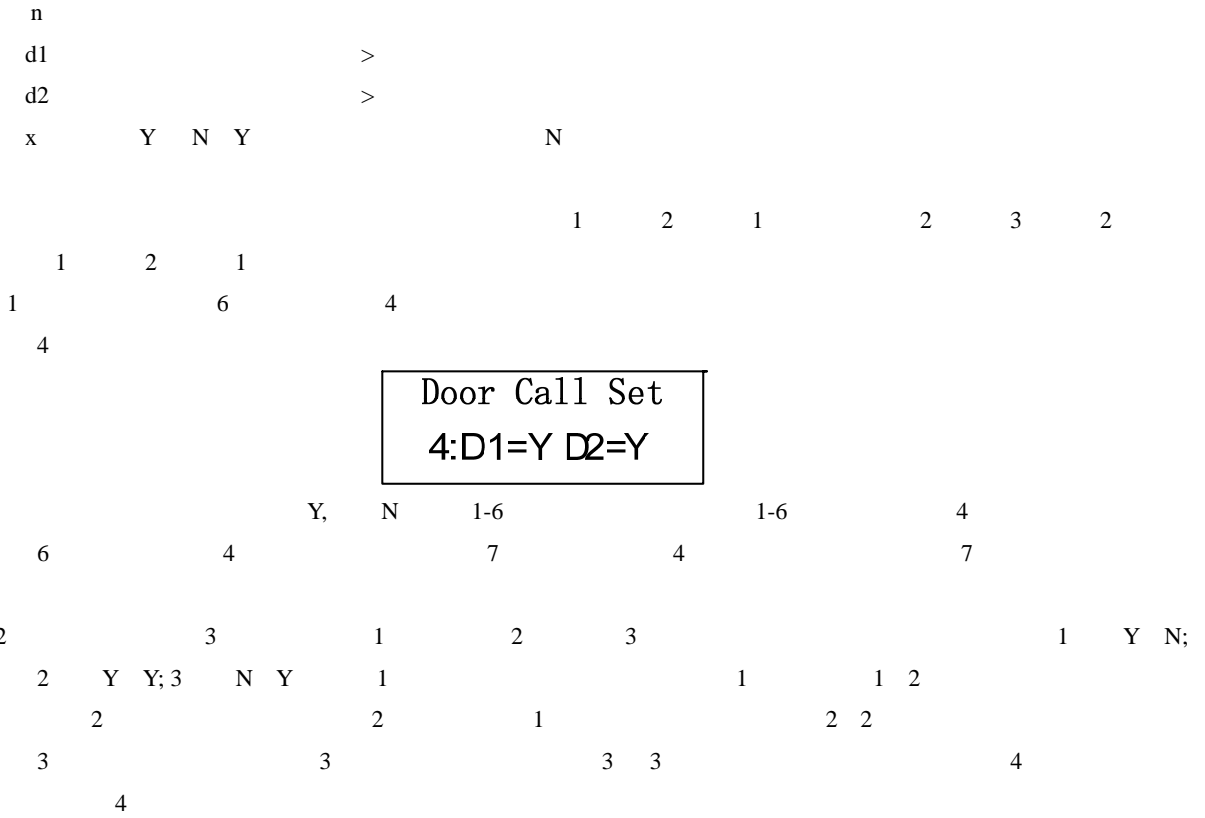
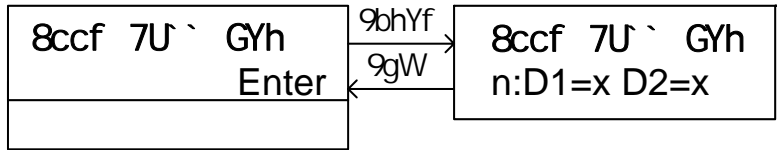


Door Select  
6 d1=Y d2=N

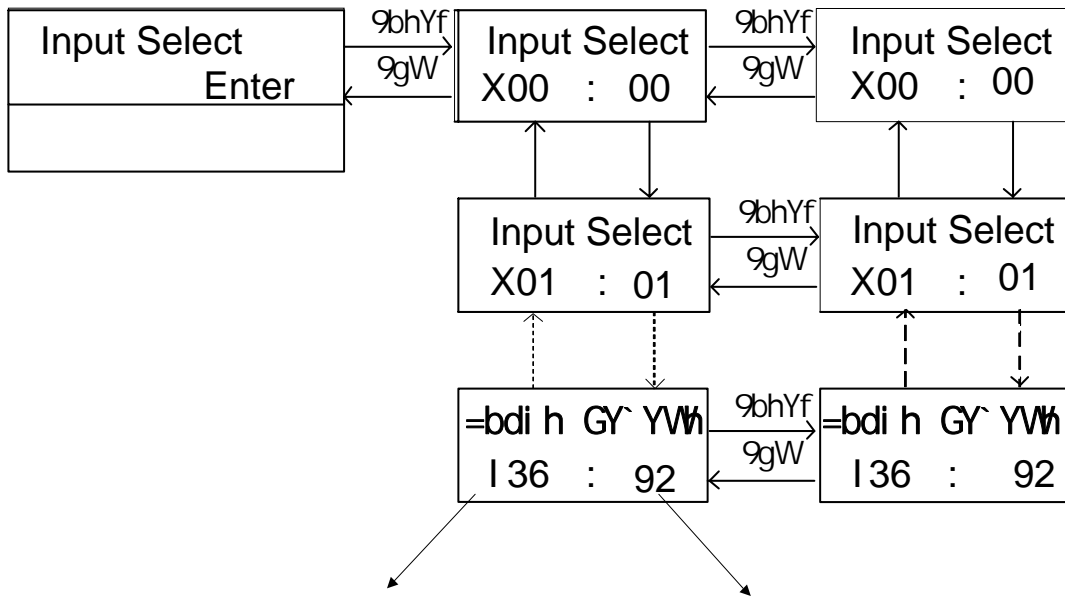
Door Select  
7 d1=Y d2=Y

15

>1



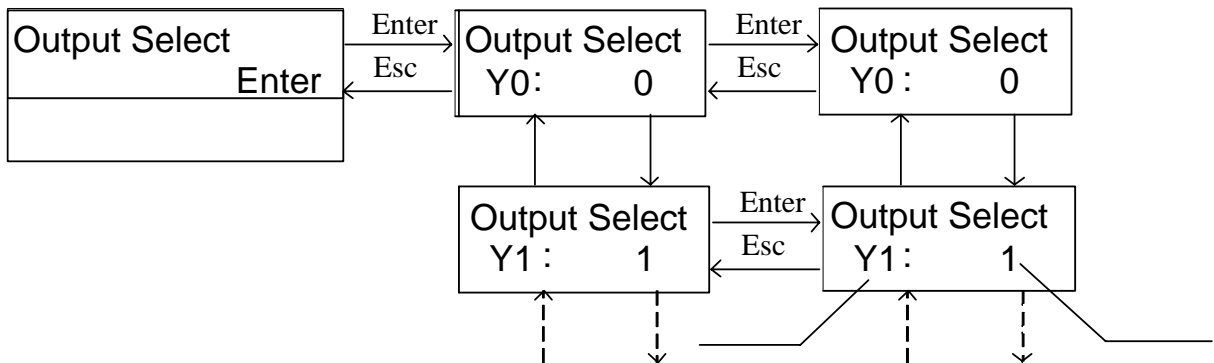
16



I/O

X1 X0 X1 Enter X1 be set X1 X0 X1  
 X1 99

17



I/O

COM

18

Y18~Y26

BCD



2

Motor Speed 1350rpm

3



( / 16kHz )

Pulses 0600
#



!!!

4

Brake On Time 400ms
提前开闸时间

5

Brake Off Time 500ms
抱闸时间

6

Acc On Time 1500ms

7

---

Dec On Time 1500ms

, &  
(\$\_)%  
M

M ž  
% &

Dec On Time 1 0000 ms
%

9

Flr No. Chg Delay 0000ms

10

Zero Speed 0005r
) #

11

Zero time 0000ms

12

Brake Check Time 0000ms

13

Beep Delay Time 0000ms

%

@jad CZZ h]aY

%

Lamp Off Time 015 Min
关照明时间设置

15

Brake Err Count 5

16 KDY  
KDY

KDY Err Count 5
?8M

%

=bg 6fU\_Y h]aY  
\$! --- \$agž

fl

) \$\$ag

(\$)!& ( (!& Ț

ž

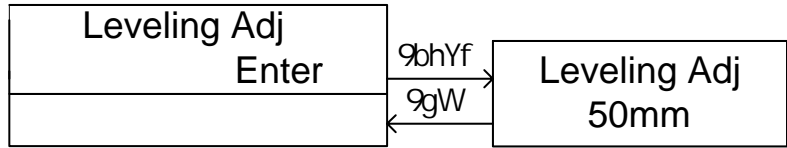
) \$\$agž

ž

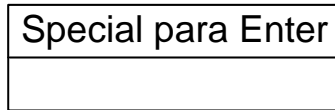
Ins Brake time 500ms

18

50mm



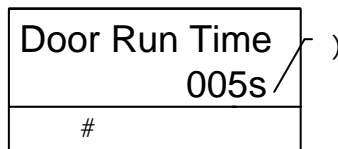
' ( (



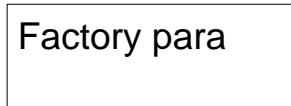
1 /

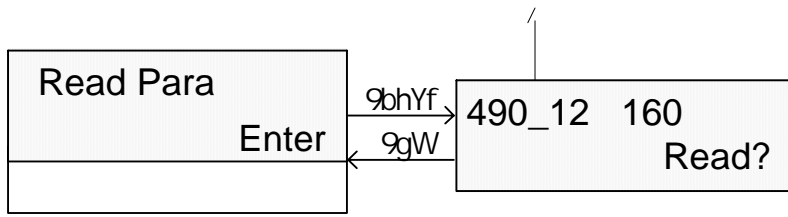
/

1S



2



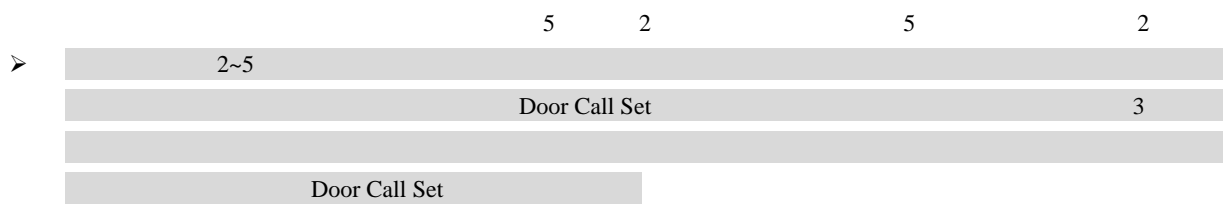


➤ n=0  
 ➤ n=1 1 ( )

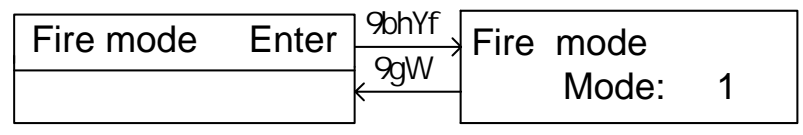
➤ n=2 3 3 1 3 2 ( ) 1

➤ n=3 4 3 4 3 4 ( )

➤ n=5 5 ( )

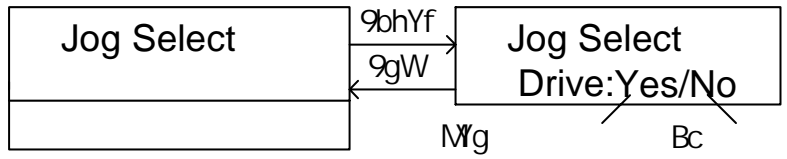


6



7

Drive Yes , Drive No



(8)

KJ: )! <

G<G

G<G

9 PG

Pg Input AV Y

\$

L,

L-

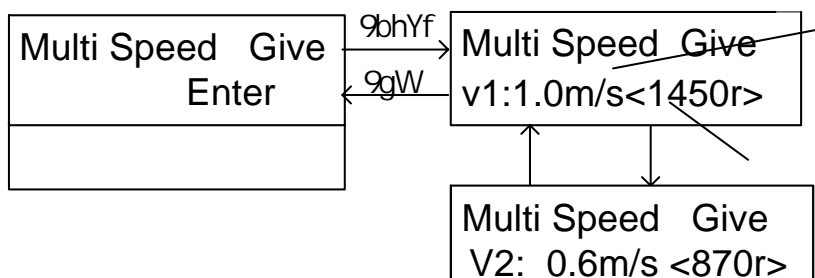
L&+

%

%

Pg Input Able
<b>Enter</b>
设置是不采用编码器计数 运行

10

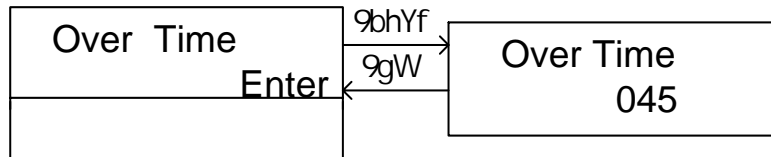


3-10

	1.0m/s	
/	V	S
V1/S1	1m/s	1.3m
V2/S2	0	0

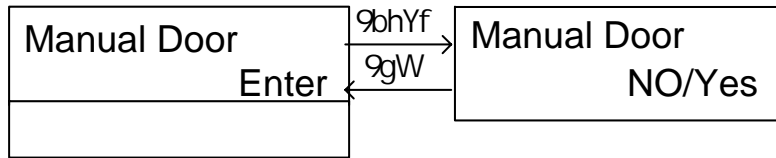
Ö S Å





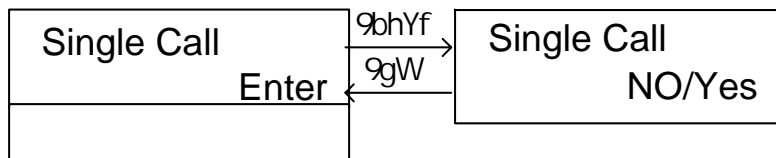
13

Yes

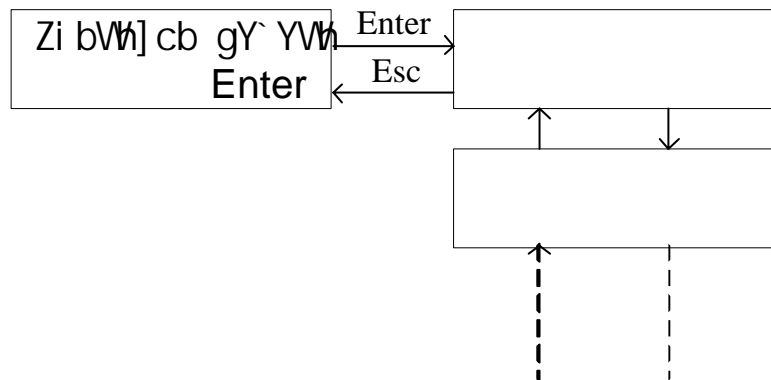


14

yes



15



: I \$'	CB (\$)'*
: I \$(	CB (\$)' +
: I \$)	CB + M& fl t (\$)' ,
: I \$*	CB % : I \$+ C : C :
: I \$+	C : % C : CB %
: I \$,	CB C :
: I \$-	CB
: I %\$	CB L+ C : (\$) )
: I %%	CB : (
: I %&	CB : ( C :
: I %	C :
: I %(\	J; ' B CB
: I %'	CB
: I %+	CB + (\$)' ,
: I %	CB C :
: I &%	: I &% C : fl t : I &% CB/
: I ' \$	CB C :
: I % : I % : I &\$	
: I && : I &- : I ' %	

FU02 ON OFF

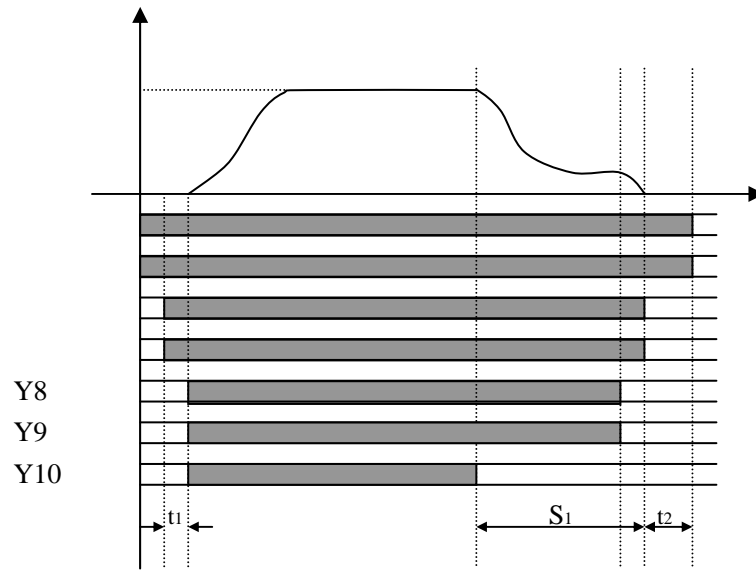


t1:

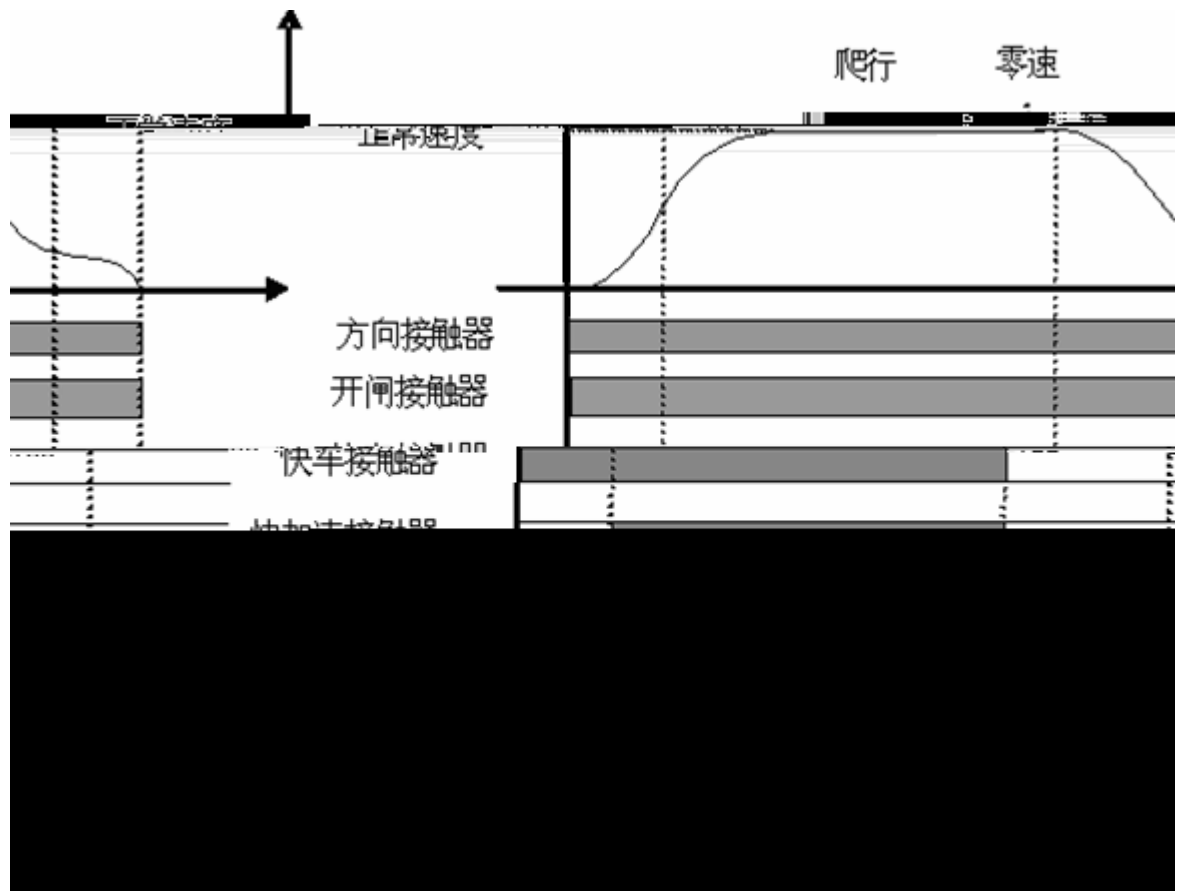
t2:

Ins Brake Time

500ms



S1



t1

t2

Acc On Time

t1

Dec On Time

t2





E2-01		*	
E2-02		*	
E2-03		*	35-40%
E2-04		*	
F1-01	PG	*	
F1-02	PG	1	
F1-03		0	
F1-04		0	
F1-06		1	
F1-08		105	
F1-09		1	
F1-10		30	
F1-11		1	
H1-01	3	7	
H1-02	4	6	
H1-03	5	3	
H1-04	6	4	
H1-05	7	5	
H1-06	8	9	
H2-01	9	F	
H2-02	25	37	
H3-05	16	1F	14
H3-06	16	0	
H3-07	16	0	
L3-04		0	
L5-01		5	
L8-05		1	
L8-07		1	
O1-01		5	
O1-02		1	
O1-03		*	
O1-04		0	

**3**

**G7A**

1	A1-02=3 2	A1-03=2220 3	
5% \$\$	@78	\$	

9& \$'			5
9& \$(			
9& %%			\$" \$%K
: % \$%	D,	D,	D,
: % \$&	D, D, C	%	
: % \$'	CG	\$	7% \$&
: % \$(	89J	\$	7% \$&

: \$&		%	
: \$'	%	) \$<n	
: \$(	%	) \$<n	
: \$)	%	', \$J	
: \$*	%	', \$J	
: \$+	%	' ")G	
: \$,	%	\$" \$%G	
: %%			%/\$%
: %&		\$" ) a] b	C@%
: %)		) \$<n	
: %*		\$ <n	
: &'		\$" (<n	
: &(\$		\$" ' <n	
: &)		\$" %<n	
: &*		%)?<n	
: &+		\$	
: ' *	' \$Fm	\$	
: (\$	%	&\$	
: (%	%	&\$	
9\$%	L%	\$	
9\$&	L&	%	
		&	



)

Er0		
Er1		
Er2		
Er3		
Er4		
Er5		Brake Feedback OFF
Er6		
Er7		
Er8		
Er9	KDY#KKC KDY#KKC	KDY#KKC KDY#KKC
Er10		
Er11		
Er12		
Er13		
Er14		
	KMC	KMC KMC
Er15	KPC	KPC KPC
Er16		PG Input Able
Er17	ON FU30	
Er18		
Er19		V1 V4
Er20		
Er21		Over Time
Er22		

Er23		
Er24		V1 V4
Er25		
Er26		
Er28		
U		
N		

□

\*

Due to ongoing product modification, data subject to change without notice

---